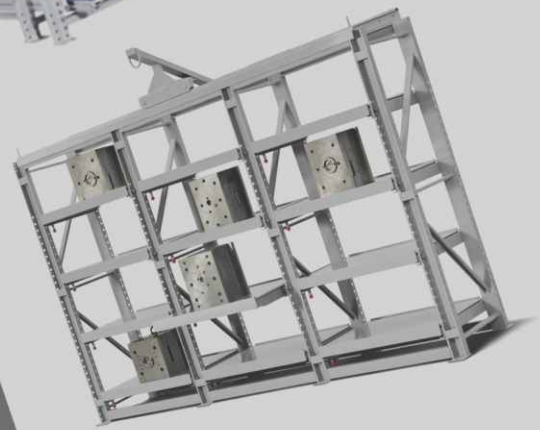
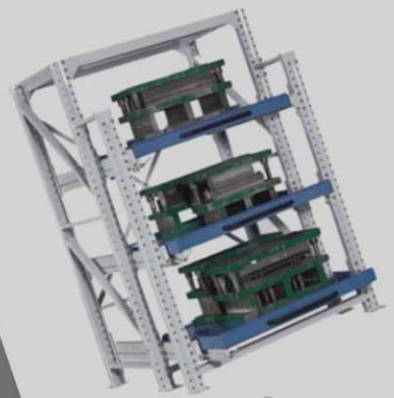
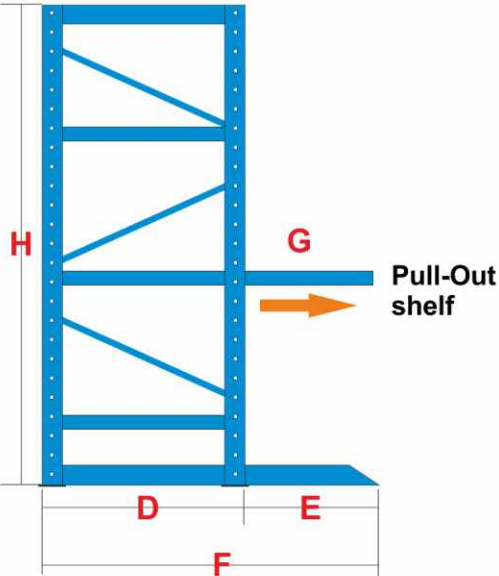
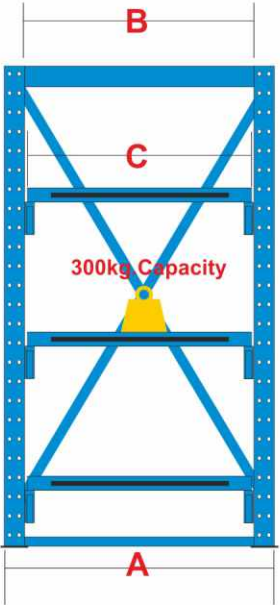


rk steel smith
defining workspace



**MOULD AND DIE PULL-OUT
SHELF RACK**
PRODUCT RANGE

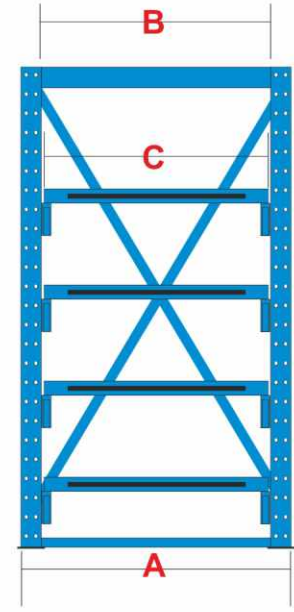
2018



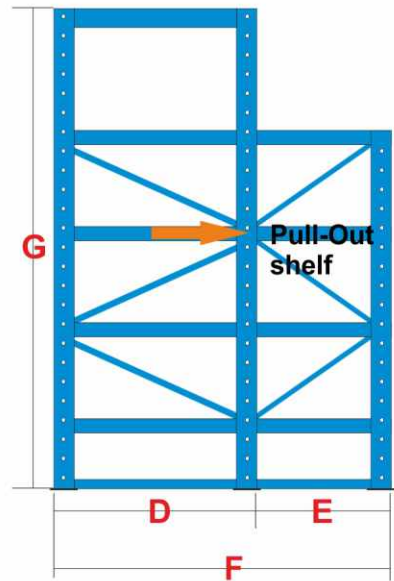
	A	B	C	D	E	F	G	H	Each pull-out shelf 🏋️	Each pull-out shelf #
RK MOULD 001	1100	900	800	600	500	1100	500	1200	200kg.	2no.
RK MOULD 002	1100	900	800	600	500	1100	500	1500	200kg.	3no
RK MOULD 003	1100	900	800	600	500	1100	500	2000	200kg.	4no

The Rack must be secured (Grounding) to the floor or to the wall





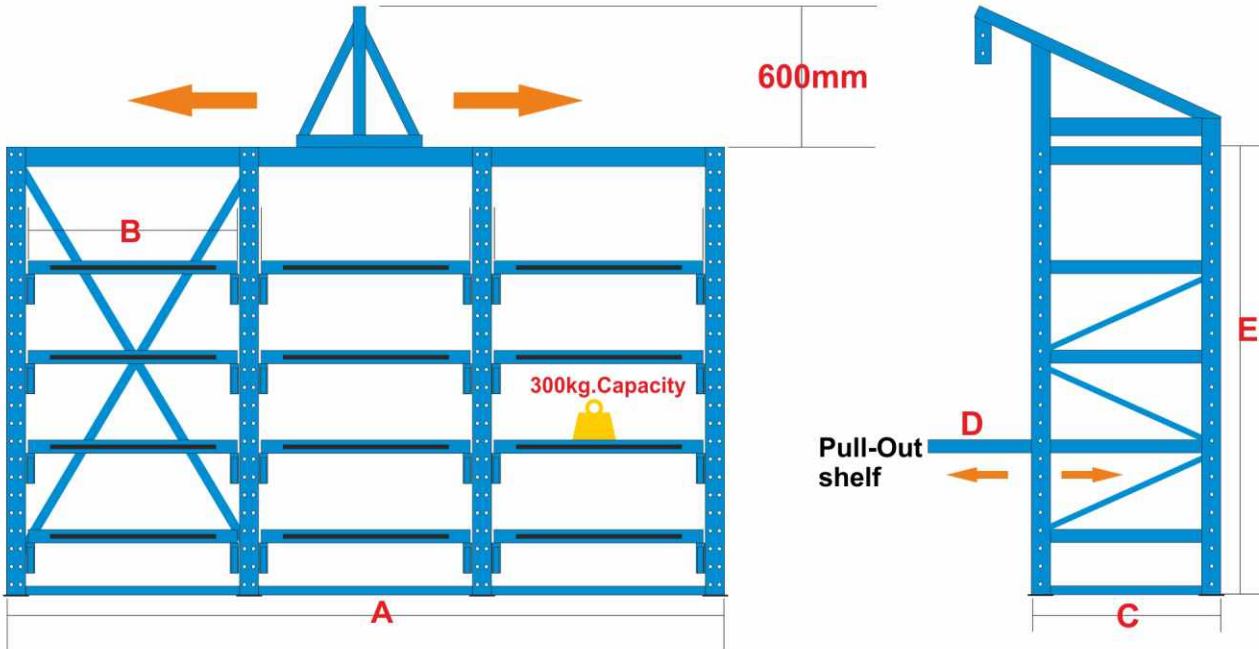
	A	B	C	D	E	F	G	Each pull-out shelf 500kg.	Each pull-out shelf #
RK MOULD 004	900	700	600	600	500	1100	1500	500kg.	2no.
RK MOULD 005	900	700	600	600	500	1100	2000	500kg.	3no.
RK MOULD 006	900	700	600	600	500	1100	2500	500kg.	4no.
RK MOULD 007	1100	900	800	800	700	1500	1500	500kg.	2no.
RK MOULD 008	1100	900	800	800	700	1500	2000	500kg.	3no.
RK MOULD 009	1100	900	800	800	700	1500	2500	500kg.	4no.



The Rack must be secured (Grounding) to the floor or to the wall



**Two OR Three bay concept
(no add-on systems)**



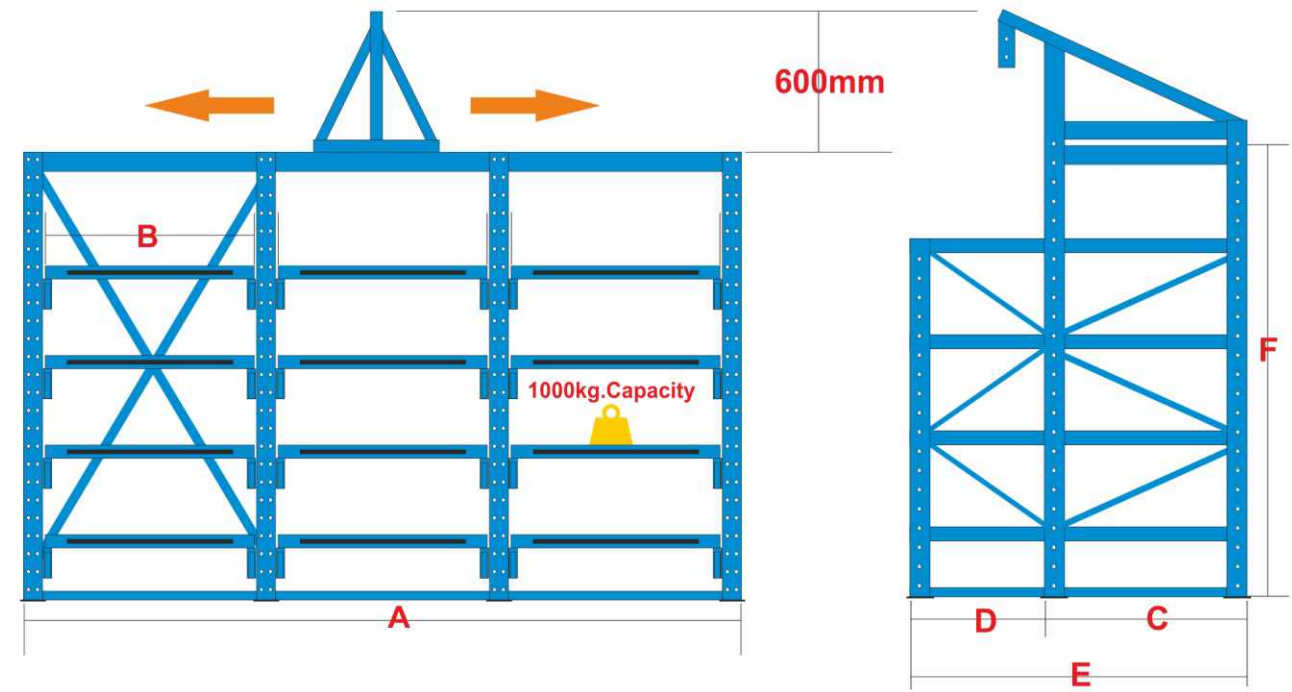
	A	B	C	D	E	Each pull-out shelf 🏋️	Each pull-out shelf #
RK MOULD 010	3100	800	800	500	2200	200kg.	6no.
RK MOULD 011	3100	800	800	500	2200	200kg.	9no
RK MOULD 012	3100	800	800	500	2200	200kg.	12no

The Rack must be secured (Grounding) to the floor or to the wall





Two OR Three bay concept (no add-on systems)



	A	B	C	D	E	F	Each pull-out shelf	Each pull-out shelf
							🏋️	#
RK MOULD 013	3100	800	800	700	1500	2200	500kg.	6no.
RK MOULD 014	3100	800	800	700	1500	2200	500kg.	9no
RK MOULD 015	3100	800	800	700	1500	2200	500kg.	12no

The Rack must be secured (Grounding) to the floor or to the wall



Standard Color option :



AMERICAN BLUE
STRUCTURE FINISH



7035 PALE GREY
STRUCTURE FINISH



DA GREY
STRUCTURE FINISH



PO RED
STRUCTURE FINISH

Assembled components are transfer to pre-treatment plant for treating in 7 tank for degrees, zinc, phosphating and passivation.

Material received from pre-treatment department are immediately powder coated in the dust free painting booth and then the articles are put inside a baking oven at a temperature of 180° C for about 20 minutes.



rk steel smith
defining workspace



Plot- B/32 (Part-2) Bileshwar Indl. Estate,
Opp. G.V.M.M.,
Odhav-Kathwada Road,
Ahmedabad - 382415
Gujarat (INDIA).



+91 94 281 35 100
+91 98 253 00 059



rksteelsmith@gmail.com
info@rksteelsmith.com
sales@rksteelsmith.com



www.rksteelsmith.com